

Hyperion™

VSDO - Perimembranous

with Hub



Product Information

Features

- 72 pre-oxidised Nitinol wires
- Symmetrical disc design
- Perimembranous
- With hub design
- Screw connection

Sizing

- 12 sizes
- 6 different waist lengths
- Ø 4 to 20 mm

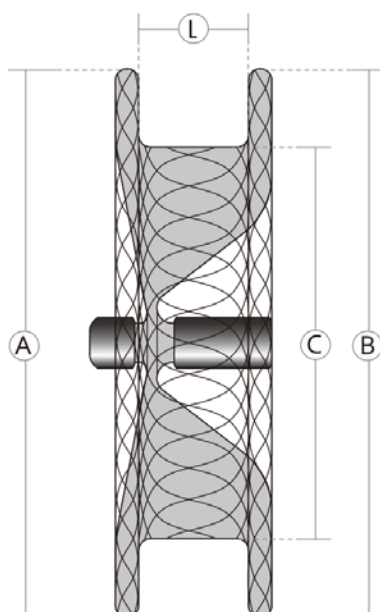
Benefits

- Functional elasticity
- Enhanced shape memory
- Secure positioning
- Anatomical deployment
- Safe attachment/detachment

- High bio-compatibility
- Fast endothelialisation
- Minimised nickel release

Delivery

The Hyperion™ VSD Occluder is compatible with the Orbit-V Delivery System



- Ⓐ : Left Ventricular (LV) disc Ø
- Ⓑ : Right Ventricular (RV) disc Ø
- Ⓒ : Connecting Waist Ø
- Ⓓ : Length of Connecting Waist

Ordering Information

Hyperion™ VSDO - Perimembranous with Hub

Catalogue #	Connecting Waist Ø (mm) ③	Length of Connecting Waist (mm) ④	LV Disc Ø (mm) ①	RV Disc Ø (mm) ②	≥ Orbit-V Delivery System
CVSD-PMC 04	4.0	2.6	8.0	8.0	6F
CVSD-PMC 05	5.0	3.0	9.0	9.0	7F
CVSD-PMC 06	6.0	3.0	10.0	10.0	7F
CVSD-PMC 07	7.0	3.5	11.0	11.0	8F
CVSD-PMC 08	8.0	3.5	12.0	12.0	8F
CVSD-PMC 09	9.0	4.0	13.0	13.0 <td 8F	
CVSD-PMC 10	10.0	4.0	14.0	14.0	9F
CVSD-PMC 12	12.0	4.5	16.0	15.0	9F
CVSD-PMC 14	14.0	4.5	18.0	17.0	10F
CVSD-PMC 16	16.0	5.0	22.0	20.0	10F
CVSD-PMC 18	18.0	5.0	24.0	22.0	10F
CVSD-PMC 20	20.0	5.0	26.0	24.0	10F

- ① : Left Ventricular (LV) disc Ø
- ② : Right Ventricular (RV) disc Ø
- ③ : Connecting Waist Ø
- ④ : Length of Connecting Waist

